

SureLock

Model #: SLGDL-7

Automatic Garage Door Lock

Thank You for purchasing the SureLock Model SLGDL-7. We appreciate your decision and want to make sure you are completely satisfied. If for any reason you have questions during this process please do not hesitate to contact us:



tech@ProductConceptsInc.com
Mon - Fri, 8am to 5pm (Pacific Time)
Updates: Garage-Lock.com

PLEASE DO NOT RETURN SURELOCK TO THE STORE

First give us a chance to resolve ANY issues you may have.

We are here and available to assist you.

Operation and Installation Manual

SureLock Benefits / Features:

- Your AST SureLock model SLGDL-7, works with your garage door opener to automatically lock your sectional roll-up garage door every time it's closed and automatically unlock it when it's opened.
- Compatible with all residential garage door opener's.
- Operates using your garage door opener's existing remote controls, wall switch/console and/or wireless keypad. (In short, SureLock provides added security without changing the way you access your garage).
- SureLock mounts on your garage door track inside of your garage and can be mounted on either side.
- SureLock requires only 2" of clearance between door track and first obstruction such as a wall/cabinet.
- "Peace of Mind Security".

SureLock...protecting people and property from unnecessary risk.

SureLock Operating Instructions

This is where things get over simplified. To activate SureLock all you need to do is activate the garage door opener using your existing remote control, Wall switch/console or wireless keypad, this will simultaneously activate SureLock.

SureLock's lock bar retracts out of the track during the entire garage door open/close cycle. Then it automatically releases back into the track just above the roller wheel to lock the garage door when closed. It really is that simple.

Again, if for any reason things don't go this simple for you, please don't hesitate to contact us, see above for contact information.

SureLock Manual Release Instructions

Locate the red manual release lever on top of SureLock and shift it away from garage door track to manually unlock.

Note: The SureLock will remain in the unlocked position until the manual release lever is shifted back towards the track (normal operating position).



IMPORTANT SAFETY INFORMATION



A Garage Door (Door) is a large, heavy object that moves with the help of springs under high tension and an electric motor. Since moving objects, springs under tension and electric motors can cause injuries, your safety and the safety of others depends on you reading and following the information in this manual. If you have any questions or do not understand the information presented please contact us:

Email: tech@ProductConceptsInc.com

** PRE INSTALLATION REQUIREMENT **

Without Secondary Garage Access (Man Door)
An Emergency Release Must Be Installed During Installation



WARNING



To Prevent Serious Injury or Death

1. Keep people clear of opening while Door is moving.
2. DO NOT allow children to play with the Door operator controls.
3. DO NOT operate a Door that jams or one that has a broken spring.
4. DO NOT try to remove, repair or adjust springs or anything to which Door springs are fastened, such as wood blocks, steel brackets, cables or other like items.



Important Emergency Release Instructions



In the event of an emergency there are two (2) procedures required before each automated garage door equipped with automated lock can be manually opened:

1. Release garage door from garage door opener using the opener's red emergency release handle/cord.
2. Unlock automated lock mounted on garage door track, see SureLock label for instructions.

Emergency Release Test

Perform this test at least once a month



CAUTION



DO NOT perform this test while the garage door is open, as weak or broken springs may allow the garage door to fall rapidly, causing injury or death.

1. Close garage door.
2. Release garage door from garage door opener
3. Release automated lock located on garage door track.
4. Manually open and close garage door.
5. Re-engage (reset) both release mechanisms.



WARNING



IMPORTANT INSTALLATION INSTRUCTIONS

To reduce the risk of injury or death:

1. READ AND FOLLOW ALL SAFETY, INSTALLATION AND OPERATION INSTRUCTIONS.

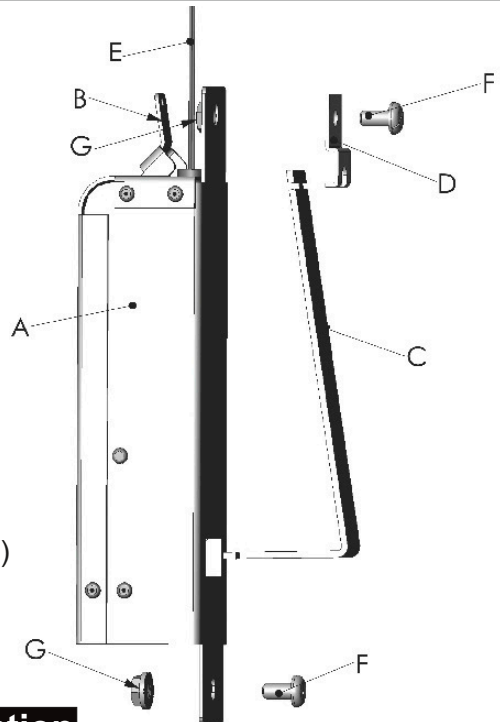
If you have any questions or do not understand any instruction, contact us directly.

Email: tech@ProductConceptsInc.com

2. If you are uncomfortable performing any of the following tasks, have SureLock installed by a professional.
3. All wiring is to be employed as required by local codes.
4. Disconnect garage door opener from source of power before installing SureLock, and **DO NOT** reconnect opener to source of power until instructed to do so.
5. Install manual release signage labels supplied with SureLock, as described at the end of instructions.

Parts List Shown

- A: SureLock
- B: Red Manual Release Lever
- C: Lock Bar
- D: Lock Bar Hinge
- E: SureLock Wire (30')
- F: 1/4" Bolts (x3)
- G: 1/4" Nuts (x3)



Parts Not Shown

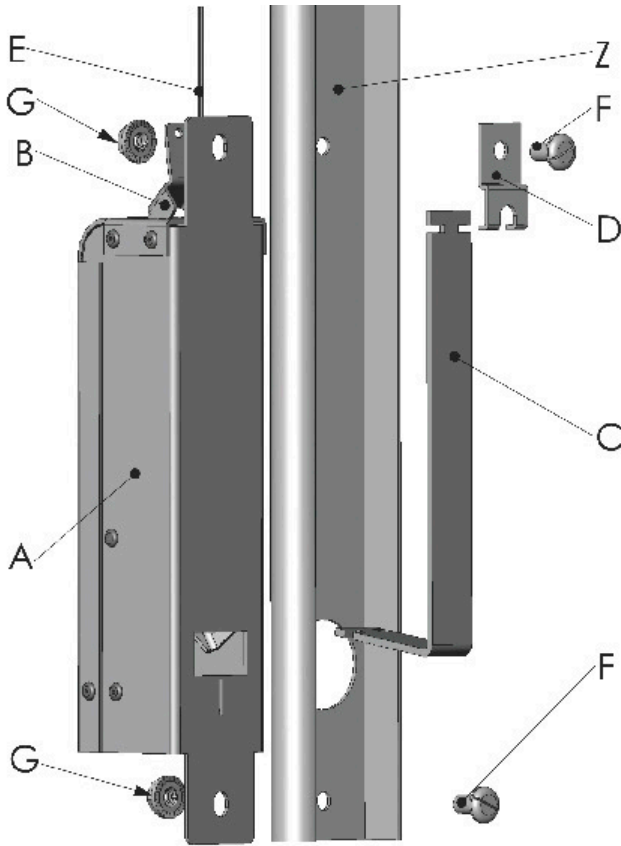
- Drill Hole Template
- SureLock** Control Module
- SureLock** Sensor
- SureLock** 4 Pin Harness (6')
- Backup Battery Harness (2')
- Manual Release Signage Labels (x2)
- Staples (x7)
- Cover Plate Replacement Screw
- 1" Hole Saw
- Wire Tie

Tools Required For Installation

Drill, 1/4" Drill Bit, Small Round File, Wire Cutters, Hammer, 7/16" Wrench
Phillips & Flat-Blade Screwdrivers

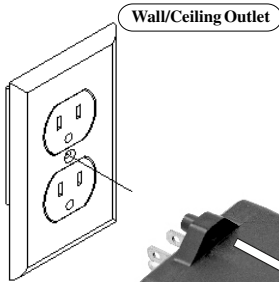
And just in case you need us, our contact information is as follows:

Email: tech@ProductConceptsInc.com



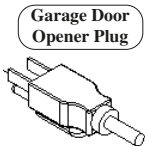
Parts List

- A: SureLock
- B: Red Manual Release Lever
- C: Lock Bar
- D: Lock Bar Hinge
- E: SureLock Wire (30')
- F: 1/4" Bolt (x2)
- G: 1/4" Nut (x2)
- H: Drill Hole Template
- I: SureLock Control Module
- J: SureLock Sensor
- K: 4-Pin Harness
- L: Backup Battery Harness
- Z: Door Track



Wall/Ceiling Outlet

Cover Plate Replacement Screw



Garage Door Opener Plug

J: SureLock Sensor



Wires From SureLock Connect Here



L: SureLock Backup Battery Harness

I: SureLock Control Module

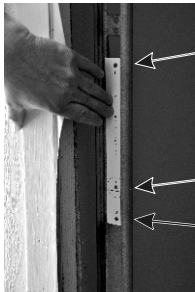


K: SureLock 4-Pin Harness

SureLock Installation Instructions

Be sure to follow and complete all (18) steps listed

1. With garage door closed count the garage door rollers (wheels) inside the garage door track. You will be mounting the SureLock just above the second door/track roller up from the floor (Note: this can be done on either side of the garage door, it's your choice).
2. Use a marker and make a "Dot" inside the track just above the second door/track roller (in center of track), once done open your garage door.
3. Unplug garage door opener from wall/ceiling outlet.
4. Now place the supplied template inside the track and align Hole #3 on template with previously placed "Dot" and place additional marks on inside of track at Hole#1 & Hole#2.



Hole #1(1/4")

Hole #2(1")

Hole #3(1/4")
Align with Dot

5. Using a Drill with 1/4" Drill Bit, drill 1/4" holes at Marks #1 & #3.
Note: Use center punch to locate drill bit prior to drilling hole.
6. Using the supplied 1" Hole Saw, drill a 1" hole at Mark #2.
(make sure to debur holes using a small round file)
Note: Use center punch to locate drill bit prior to drilling hole.



#1
Drill 1/4" Hole

SureLock

D
r
i
l
l
H
o
l
e
T
e
m
p
l
a
t
e

#2
Drill 1" Hole
Using The Supplied Hole Saw

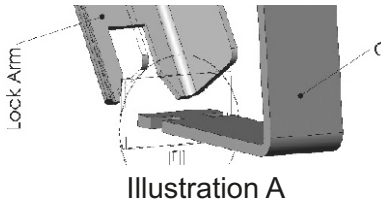


#3
Drill 1/4" Hole



7. Now it's time to put the SureLock in place. While holding the SureLock on the outside of the track, insert the "short-end" of the Lock-Bar(C) through the 1" hole (Hole#2) in door track. With the Lock-Bar(C) pressed against inside of door track insert short end of the Lock-Bar© through the square hole in SureLock and vertically align SureLock so the internal Lock-Arm interlocks with the slots in the short-end of the Lock-Bar(C). (see illustration A)

Now shift the Red Manual Release Lever to the Unlocked position (away from Door Track). If interlocked correctly this will pinch the Door Track between the SureLock and Lock-Bar(C) holding them both in place to aid with next steps.



8. Now you will need to position the Lock-Bar-Hinge(D) inside the door track, by inserting the tabs of the Lock-Bar-Hinge(D) within the slots of the Lock-Bar(C).

Using the supplied 1/4" Bolt(F) and 1/4" Nut(G), From inside of track insert the first Bolt(F) through the Lock-Bar-Hinge(D) and the top most hole (Hole#1) and then SureLock. Secure on outside of track by loosely tightening with 1/4" Nut(G). Then from the inside of the track insert second 1/4" Bolt(F) through the bottom most hole (Hole #3) and then through SureLock. Secure the second 1/4" Nut(G) so SureLock is aligned vertically along track.



9. At this point check and confirm that SureLock's Lock-Bar(C) movement through track is clear and smooth. You will need to shift the Red Release Lever towards the track (Locked Position). With SureLock in normal operating position simply depress the Lock-Bar(C) from inside of track with your hand a few times to ensure smooth / clear operation.
10. Once you are comfortable everything is operating freely you can fully tighten the 1/4" Bolt(F) and 1/4" Nut(G) using a 7/16" wrench and screwdriver.

11. Now Place SureLock back into the Unlocked position – by shifting the Red Release Lever away from Door Track.
12. Next you will need to carefully route SureLock's Wiring(E) from SureLock all the way to the garage door opener. Making sure wire is free from any moving objects, simply secure in place using the supplied staples as needed along the wall, and route to the Garage Door Opener along the ceiling. It may be possible to route along rail if wire securing system / slot is provided on rail.

Make sure you use care not to pinch or cut wires when securing.

DO NOT ROUTE WIRES IN PATH OF MOVING OBJECTS.

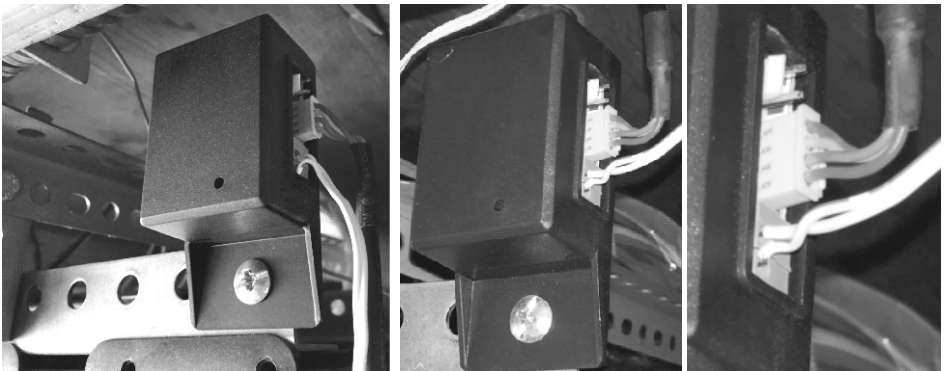
(Often times you can simply follow the same route as the Photo-Beam wires originally installed with your garage door).

We will come back and complete the connections a little later.

13. Now you are ready to mount the Surelock Sensor onto the Garage Door Opener's metal mounting brackets (those used to secure the opener to the ceiling mount straps).

Use supplied 1/4" Bolt(F) and 1/4" Nut(G) to secure Surelock Sensor (see photo).

14. You can now connect the Surelock's Wiring(E) (you previously routed to the Garage Door Opener) to the Surelock Sensor. Trim to length and pull apart the two wire leads and strip back 1/2" of insulation. Insert either lead into each of the two holes in the Surelock Sensor's green 2-position connector (To insert or remove use a small flat screwdriver and press orange tabs above terminal).

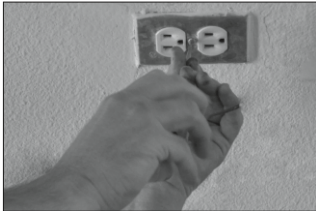


Note: Red LED Only Activates Upon Vibration

15. Next it is time to mount the SureLock Control Module. You must first identify the type of cover plate on the electrical outlet that your Garage Door Opener is plugged into. See below for types and follow the directions for your type of cover plate (A or B).

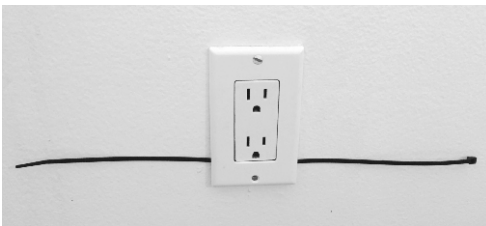
A) Single screw in the center, securing cover plate:

1. Start by removing the center mounting screw securing the cover plate to the outlet. DO NOT remove the cover plate.
2. While holding the outlet's cover plate in place simply plug in the SureLock control module so that the control module's top mounting hole is aligned with the center mounting hole in cover plate.
3. Now insert the supplied replacement screw through the control module's top mounting hole and gently tighten to secure the control module in place.



B) Two screws securing cover plate, one on top and bottom:

1. Remove the screw at the bottom of the cover plate.
2. Carefully slide supplied wire-tie behind the cover plate so that it is positioned between the outlet and the cover plate screw hole.
3. Reinsert cover plate screw and gently tighten.
4. Plug the Surelock Control Module into the outlet, so that the module's top mounting hole is aligned in the center of the outlet.
5. Secure the control module to the outlet by wrapping the wire-tie around the module and cinching the wire-tie snugly, trim to length.



16. Now it is time to plug-in your garage door opener's power cord, except this time it will plug into the SureLock control module you just installed.
17. Now to finish the connections, locate the supplied 6ft 4-pin wire harness. Plug 4-pin Wire Harness into the Surelock Sensor's 4-pin connector and route along the Garage Door Opener's power cord (wrapping around power cord as needed to secure) to the Surelock Control Module.

Plug the 4-pin Wire Harness into the Surelock Control Module's 4-pin connector.

18. **Optional: Backup Battery Harness Installation.**

If your Garage Door Opener is equipped with a back-up battery you will need to use the back-up battery harness equipped with Surelock.

Opener Equipped with 12VDC Back-up Battery

- 1) Locate the back-up battery in the garage door opener and disconnect the two wires connecting the battery to the opener.
- 2) Next you will plug the Surelock Back-up Battery Harness Piggy-Back terminals onto the garage door opener's back-up battery.
The Piggy-Back Connectors must be plugged onto their mating battery terminals (size & color).
- 3) Plug the previously disconnected Garage Door Opener's back-up battery wires onto the mating Piggy-Back terminals (size & color).
- 4) Safely route the harness wires from the garage door opener's battery mounting location to the Surelock sensor mounted atop the garage door opener. Make sure that the wires are never pinched, cut or routed near moving objects.
- 5) Plug the Surelock back-up battery harness into the Surelock sensor's mating 2-pin connector.

Opener Equipped with Backup Batter, But Not 12 VDC

- 1) Purchase a 12 Volt DC Non-Spillable battery (4ah minimum).
- 2) Securely mount the battery at the garage door opener.
- 3) Plug the SureLock Back-up Battery Harness's piggy-back connectors onto the backup battery previously purchased and securely mounted.
The piggy-back connectors must be plugged onto their mating backup battery terminals (Color & Size).
- 4) Plug the SureLock Back-up Battery Harness into the SureLock Sensor's mating 2-Pin connector.

**Do Not Operate The Garage Door Opener
Until Instructed To Do So.**

MANDATORY GARAGE DOOR OPENER ADJUSTMENT **DO NOT proceed without performing this mandatory adjustment.**

Failure to complete this adjustment may cause damage to the garage door and/or garage door opener.

⚠ WARNING ⚠

1. Confirm **SureLock's** red manual release lever is in the unlocked position. (away from door track)
2. Locate the garage door opener instruction manual and up-force sensor adjuster.
3. Following the garage door opener instructions, adjust the garage door opener's up-force sensor to a (minimal) setting that shuts-off the garage door opener in the unlikely event a jam occurs, to avoid damaging the garage door and/or garage door opener.

Testing SureLock

Before testing SureLock make sure the mandatory garage door opener adjustment described earlier was completed and garage door is in the fully opened position.

1. Shift SureLock's red manual release lever to locked position (towards door track).
2. Using the garage door opener remote control or wall switch/console, activate the garage door opener to close the garage door.
3. Verify that during this step the Lock-Arm(C) retracts into SureLock until the garage door is fully closed and then automatically releases out into the garage door track above door roller, 2 seconds after closing (thus locking the door).
4. If SureLock did not function properly during this test, check system wiring or call us for help.



DO NOT open the garage door if SureLock did not function properly during this test without first shifting SureLock's Red Manual Release Lever to unlocked position (away from door track).

Mounting The Manual Release Signage Labels

To complete your SureLock installation, please locate the "Manual Release Signage Labels" and adhere as indicated.

1. Peel and stick the large white label onto the wall next to your garage door opener's manual wall button/console (you should use tacks or staples if needed to make sure label is permanently secured)
2. Peel and stick the smaller red label to the existing garage door opener's emergency release cord (that would be the red string hanging from your garage door openers rail).
3. Make certain all users read and understand all information on labels.

Well, that completes your SureLock installation. At this point everything should be working as needed, and you should feel "A Lot" safer. You have now provided your family with the added protection they deserve!

Please let us know how you feel, do not hesitate in contacting us for any reason. We are here to help you in any way we can:

AST / Product Concepts, Inc.

Email: tech@ProductConceptsInc.com

Mon - Fri, 8am to 5pm (Pacific Time)

Web-Site: www.Garage-Lock.com

Warranty Limitation of Liability:

The maximum liability of Automated Security Technologies, Inc. (AST) to Buyer or any person or entity, based on, arising out of or in connection with the delivery, non-delivery, sale, installation, use or other employment of SureLock, whether for personal injury, wrongful death, property damage, or otherwise, shall in no case exceed the actual cost of SureLock. AST SHALL NOT BE LIABLE FOR ANY SPECIAL, INCIDENTAL, INDIRECT OR CONSEQUENTIAL DAMAGES OR FOR LOSS OF REVENUE EVEN IF THE DAMAGE, INJURY OR LOSS IS CAUSED BY THE NEGLIGENCE OR FAULT OF AST.

Limited Warranty:

AST warrants that SureLock will be free from defects in materials and workmanship for a period of one(1) year from the date of sale. The warranty shall not apply to any SureLock which has been repaired, altered or modified, or which has been subject to misuse, abuse, neglect, shipping or environmental damage, vandalism, or acts of God. THE WARRANTIES CONTAINED HEREIN ARE EXPRESSLY MADE IN LIEU OF ANY AND ALL OTHER WARRANTIES, EXPRESS OR IMPLIED, AND THE WARRANTIES OF MERCHANTABILITY AND FITNESS OR A PARTICULAR PURPOSE ARE EXPRESSLY DISCLAIMED. AST's obligations under this warranty shall be limited to, at AST's option, repair or replacement of SureLock, or payment of the cost of having SureLock repaired or replaced by AST. Buyer shall pay the cost of returning SureLock to AST; AST shall pay the cost of returning the repaired or replaced SureLock to Buyer.

Jurisdiction, Governing Law:

Buyer agrees that the exclusive jurisdiction and venue of any action with respect to SureLock shall be in the Superior Court of California for the County of Ventura and Buyer hereby submits to the exclusive jurisdiction and venue of such court for the purpose of any such action. Buyer agrees that the action shall be governed by California law.

SureLock™

Automatic Garage Door DeadBolt / Lock

AST / Product Concepts

Simi Valley Ca, 93065

www.Garage-Lock.com

Updates: Garage-Lock.com



Automated Security Technologies, Inc

...protecting people and property from unnecessary risk

Rev. 2 (171112)